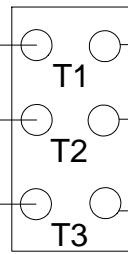
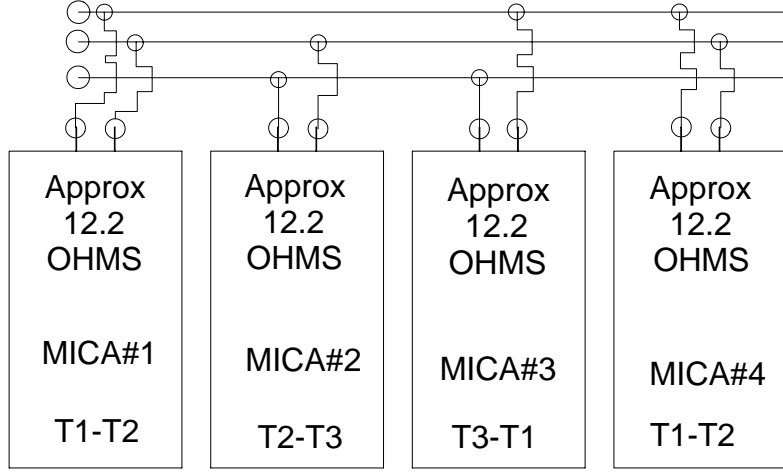


NOTE: REMOVE THE TOP COVER OFF THE REAR 6" X6" ELECTRICAL BOX. CHECK THE OHMS ACROSS EACH PAIR OF WIRES FROM EACH MICA HEATER. HEATER #1 WIRES ARE LABELED #1-#1 HEATER #2 WIRES ARE LABELED #2-#2 etc etc

REVISION HISTORY

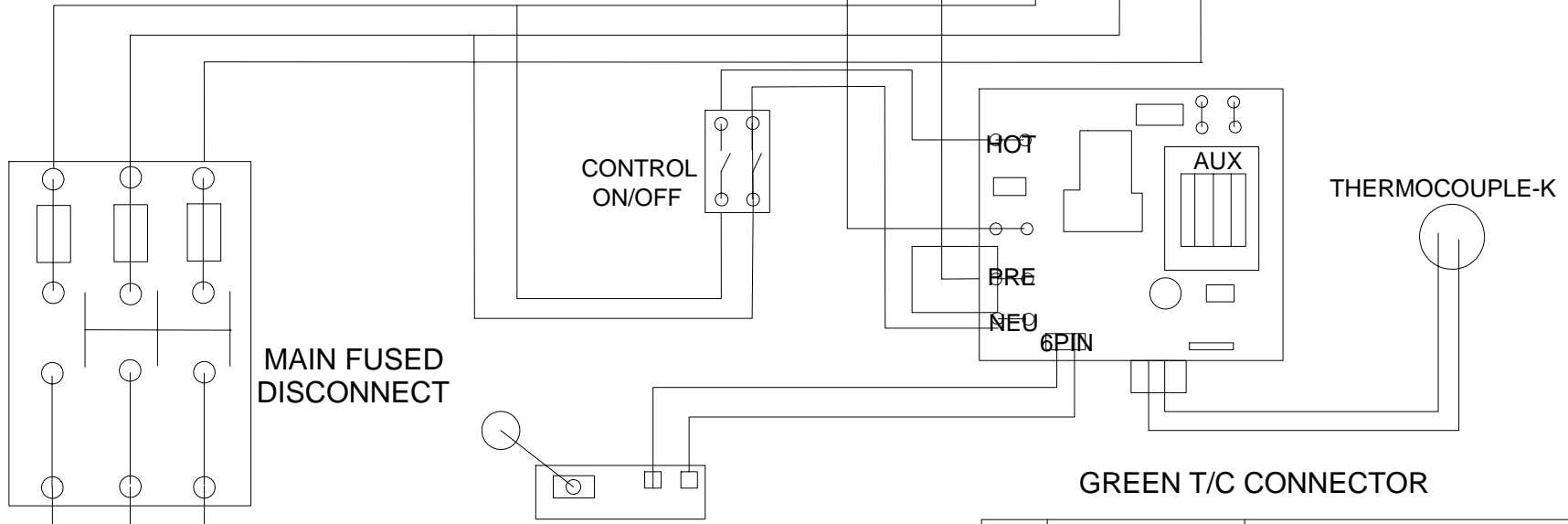
REV	DESCRIPTION	DATE	APPROVED
	HEAT CIRCUIT ONLY		

HEATER JUNCTION BOX



DEPENDING ON MODEL AND WIRING PHASE, THE HEATER CONTROL RELAY WILL BE EITHER A MERCURY RELAY 2 OR 3 POLE OR A CONTACTOR 2 OR 3 POLE

HEATERS WIRED IN DELTA CIRCUIT



SIZE A	CAGE CODE	DWG NO	REV
SCALE	SHEET		

L1 L2 L3

TIMER LEVER SWITCH

GREEN T/C CONNECTOR

THERMOCOUPLE-K

MAIN FUSED DISCONNECT

CONTROL ON/OFF

HOT
BRE
NEU
6PIN

AUX