

Digital Knight Universal Stand Assembly Instructions

The Digital Knight Universal Stand will accommodate the following machines:

DK20S 16x20 Swinger
DK20 16x20 Clamshell

DK25SP 20x25 Jumbo Swinger
DK16 14x16 Clamshell

DK20SP 16x20 Air-Op
DC Digital Combo

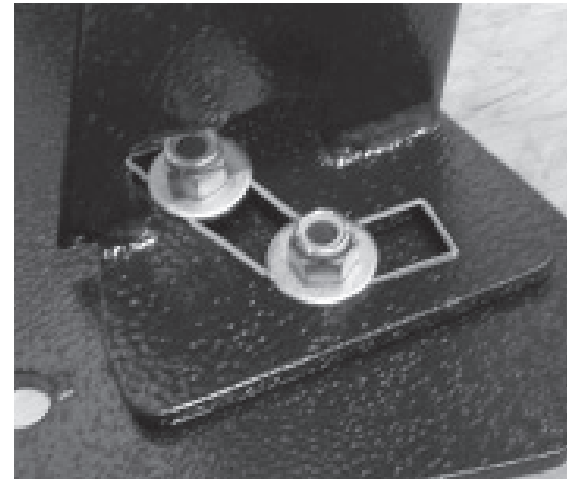
There are 3 steps to assembling the stand. Please follow these steps carefully, and read through the entire instructions before assembling the stand.

STEP 1

Attach the two stand legs to the stand top plate, according to the diagram for your model machine.

The stand legs use the black colored 3/8" FLAT HEAD ALLEN BOLTS. Make sure you pass the flat head bolt through the correct side of the top plate. The plate has angled countersinks on one side. This is the side the flat head mounts through so the machine can sit flat on the stand. The nut & washer mount against the opposite side holding the legs on. (see pic)

A diagram for your model press shows which holes to use, in order to attach the legs to the top plate. Make sure the legs and z-shaped slots are facing the right direction, and attach the legs to the plate upside down as shown. Make sure the washers sit on top of the slots and do not fall in on one side.



STEP 2

Attach the four wheels (casters) to the stand legs.

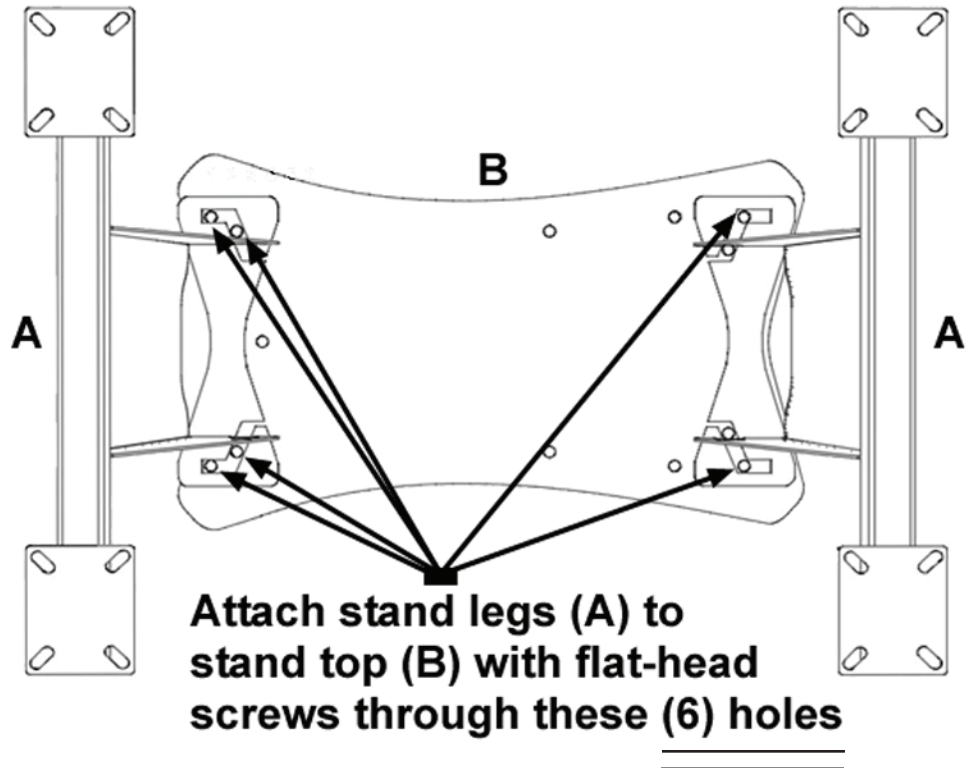
Use the smaller sized 5/16" HEX BOLTS and washers included. Use 2 washers and one locknut for each bolt, 4 bolts per caster. One washer under the bolt head, one washer under the locknut. ***IMPORTANT: Make sure the nuts are on top, and the heads of the bolts are facing the floor, so the wheels can rotate.***

STEP 3

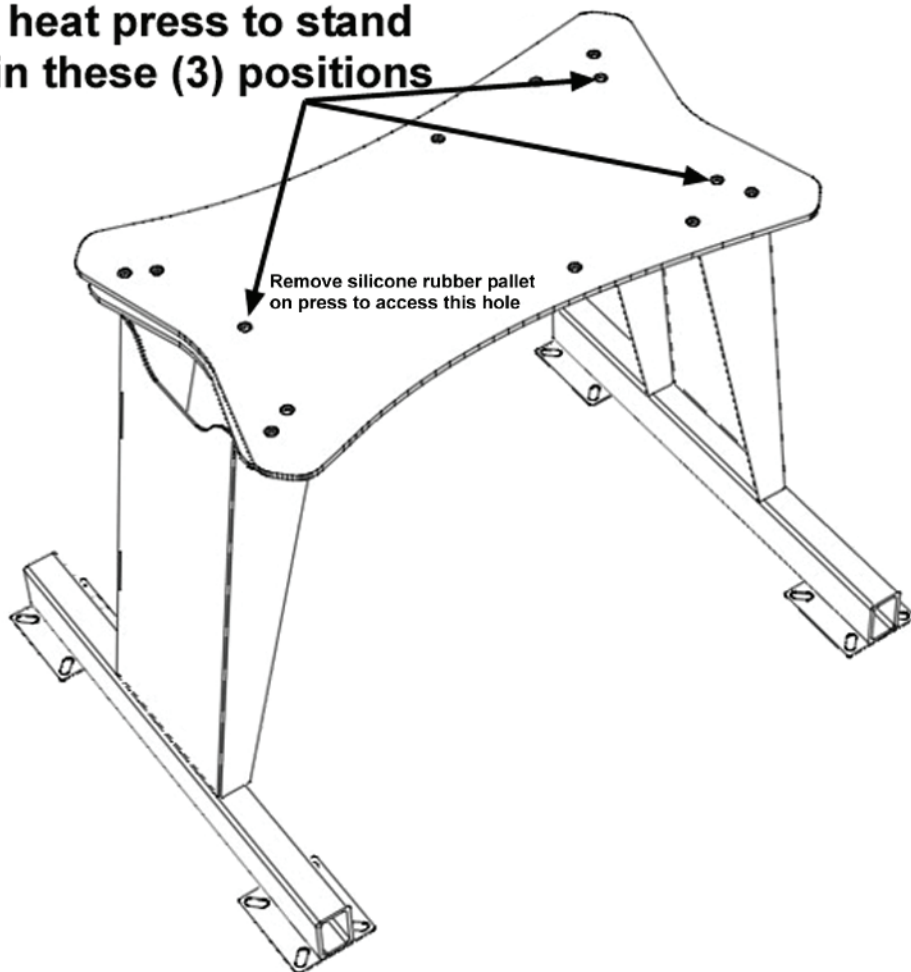
Attach the machine to the completed stand, according to the diagram for your model machine.

Once the stand is assembled, the mounting holes on your heat press base will line up with empty holes in the stand top plate. The diagram shows which holes to use, in order to attach the machine to the top plate. Use the larger 3/8" HEX BOLTS, with one washer and locknut per bolt. The washer goes under the locknut. When everything is complete - ALL LOCKNUTS should be on the UNDERSIDE of the stand. ALL BOLT HEADS should be on the TOPSIDE of the stand.

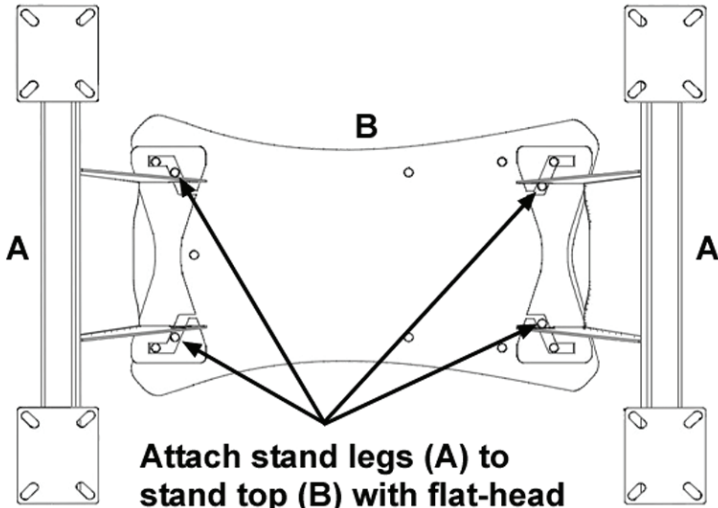
DK20S / DK20SP / DK20JS



Bolt heat press to stand top in these (3) positions

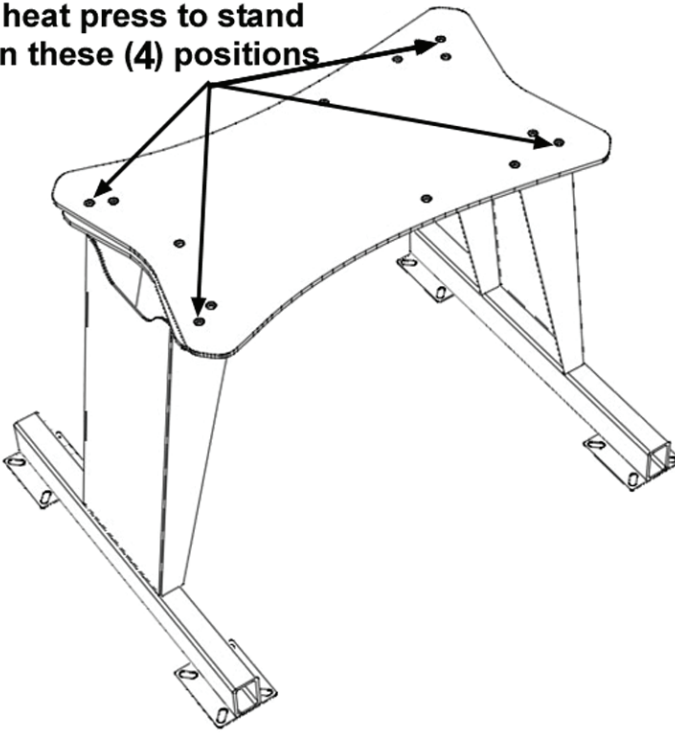


DK20

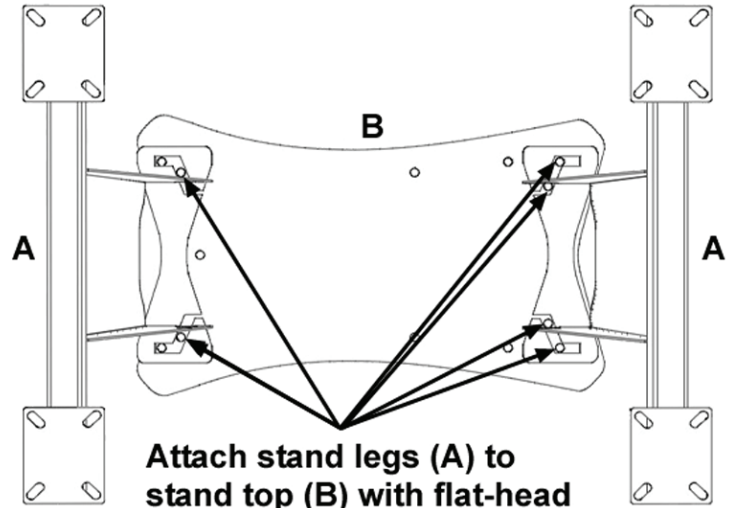


Attach stand legs (A) to stand top (B) with flat-head screws through these (4) holes

Bolt heat press to stand top in these (4) positions

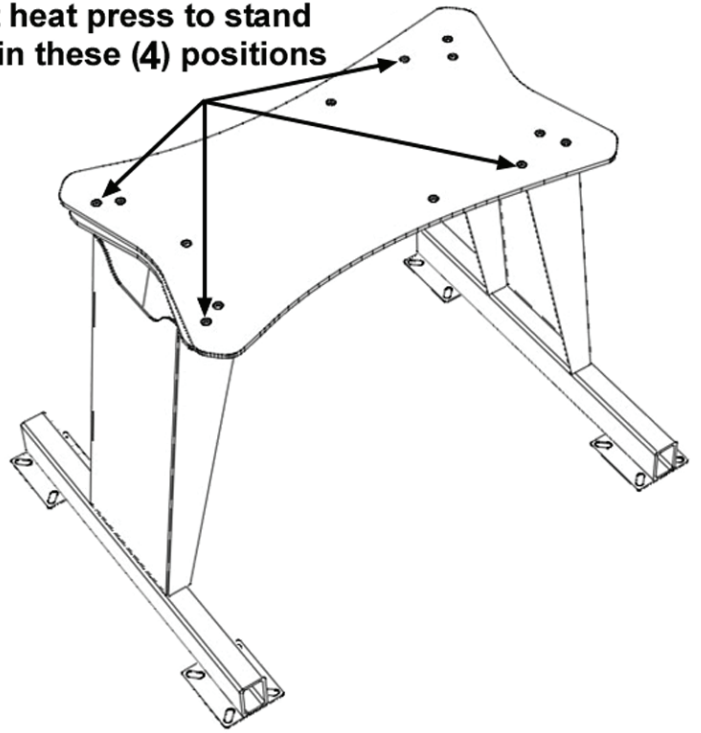


DK16

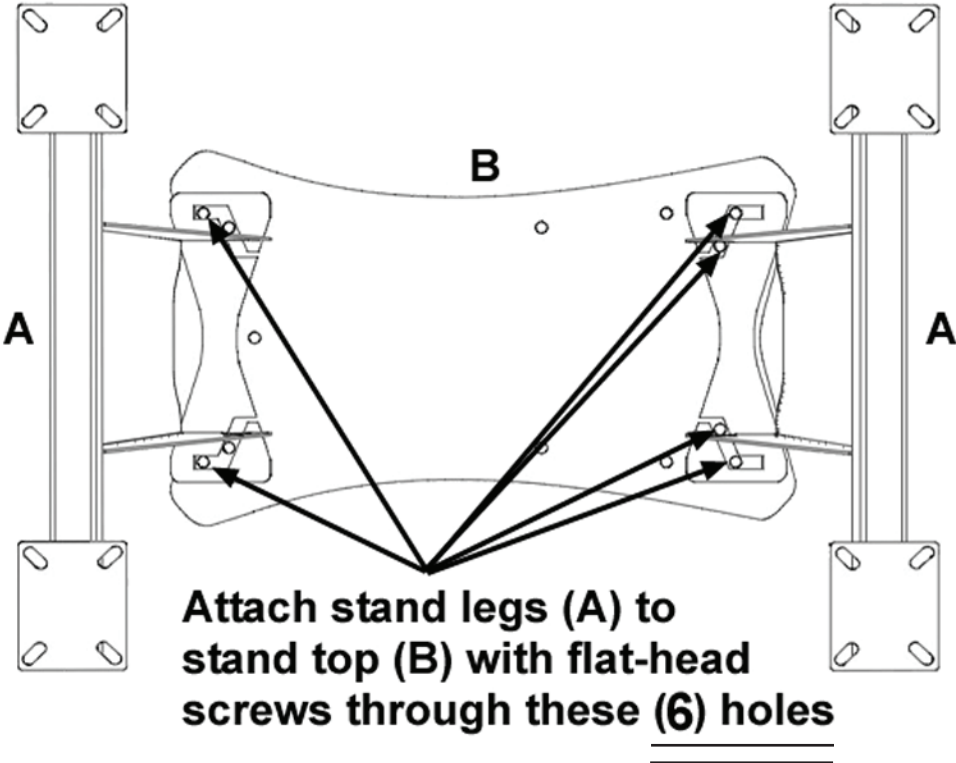


Attach stand legs (A) to stand top (B) with flat-head screws through these (6) holes

Bolt heat press to stand top in these (4) positions



DIGITAL COMBO



Bolt heat press to stand top in these (4) positions

